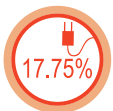


# MONOCRYSTALLINE SOLAR MODULES

**SSS-MN-250W / SSS-MN-290W** Power Range  
**60 CELLS • 5BB • 1500V/1000V SERIES**



Positive tolerance  
 Guaranteed tolerance +3%  
 Reliable power output



High module efficiency  
 Module efficiency up to 17.75%



Strong compressive strength  
 Certified to withstand high wind of 2400Pa  
 and snow loads of 5400Pa



High manufacture standards  
 certified to high standards by the  
 most reputable labs According to  
 IEC:61215: IEC:61730-1/2



International Management System  
 Manufactured and certified according  
 to ISO9001, Quality management system



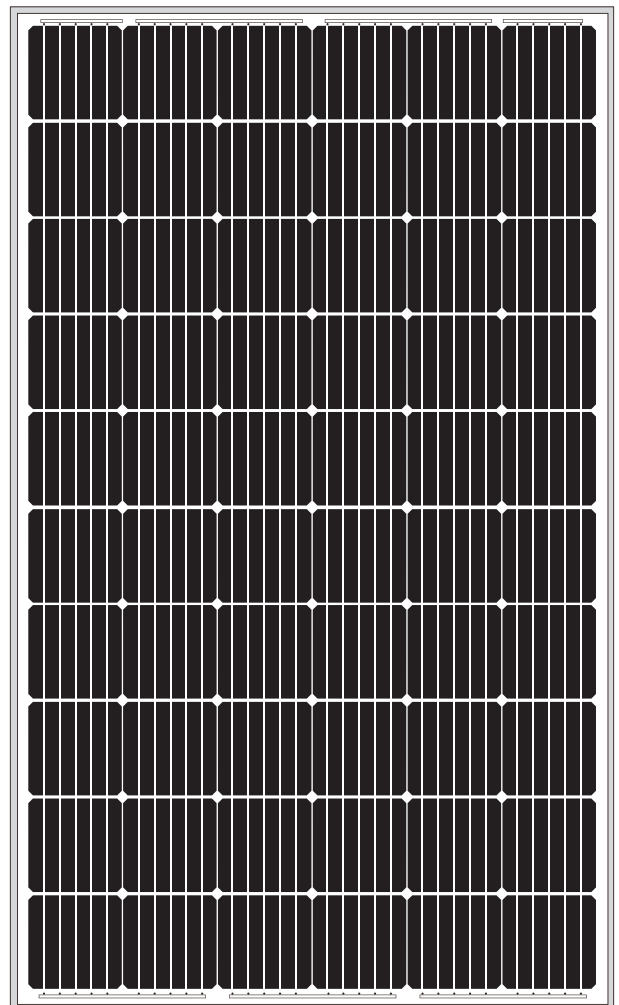
Fire test approved  
 Application class A, Safety Class II, Fire Rating C



Excellent performance under extreme condition  
 High salt mist and ammonia resistance



Reliable quality forever  
 Without potential induced  
 degradation(PID-free)



## CERTIFICATIONS

ISO9001:2015, ISO 14001:2015, ISO 45001:2018 (OHSAS 18001) certified company  
 IEC61215, IEC61730-1&2, IEC61701, IEC62804(PID) certified product



# TECHNICAL DATA

60 CELLS • 5BB • 1500V/1000V SERIES

MONOCRYSTALLINE SOLAR PV MODULES



## ELECTRICAL DATA

STC	SSS-MN-250	SSS-MN-270	SSS-MN-280	SSS-MN-290
Max. Power at STC $P_{max}$ (Wp)	250	270	280	290
Power Tolerance (%)	0 - 3	0 - 3	0 - 3	0 - 3
Max. Voltage $V_{mpp}$ (V)	31.44	31.92	32.4	33.12
Max. Current $I_{mpp}$ (A)	7.96	8.46	8.65	8.76
Open Circuit Voltage $V_{oc}$ (V)	37.92	38.16	38.4	38.7
Short Circuit Current $I_{sc}$ (A)	8.37	8.89	9.09	9.22
Module Efficiency (%)	15.3	16.53	17.14	17.75

Electric characteristics at normal standard conditions (STC)  
STC Conditions: Irradiance: 1,000W/m<sup>2</sup>, cell temperature: 25°C, AM=1.5

## ELECTRICAL PARAMETERS

NOCT	SSS-MN-250	SSS-MN-270	SSS-MN-280	SSS-MN-290
Max. Power at NOCT $P_{max}$ (Wp)	186.29	201.02	208.78	215.97
Max. Voltage $V_{mpp}$ (V)	28.75	29.19	29.63	30.29
Current $I_{mpp}$ (A)	6.48	6.89	7.05	7.13
Open Circuit Voltage $V_{oc}$ (V)	35.26	35.59	35.71	35.98
Short Circuit Current $I_{sc}$ (A)	6.84	7.19	7.43	7.53

Electric characteristics at normal operation conditions  
(NOCT) NOCT Conditions: Irradiance: 800W/m<sup>2</sup>, ambient temperature: 20°C, AM=1.5, wind speed: 1m/s

## TEMPERATURE COEFFICIENTS

Tc of Open Circuit Voltage $V_{oc}$ (β)	-0.31%/°C
Tc of Short Circuit Current $I_{sc}$ (α)	0.04%/°C
Tc of Power $P_{max}$ (γ)	-0.41%/°C

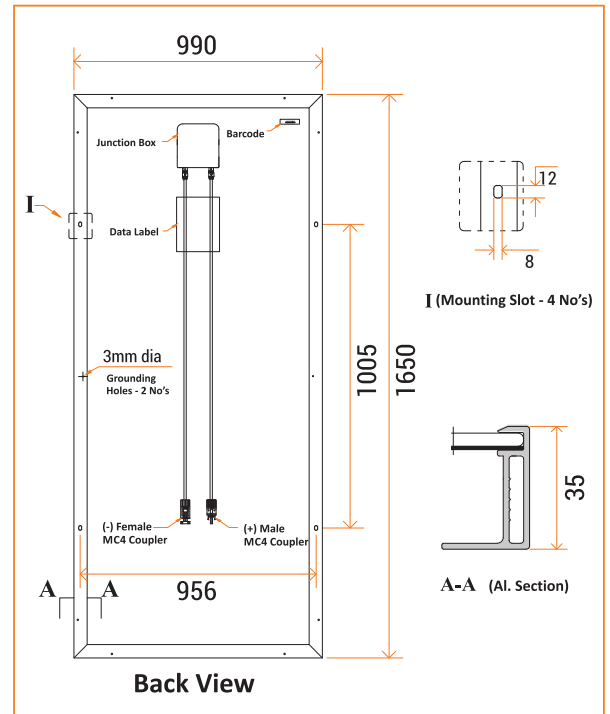
## PERMISSIBLE OPERATING CONDITIONS

Max. System Voltage	1500 VDC
NOCT	45±2 °C
Temperature Range	-40°C to +85°C

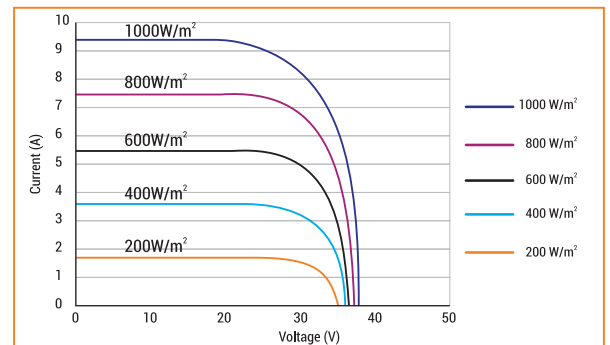
## MECHANICAL DATA

Solar Cell	60 / Singlecrystalline Silicon / 156.75mm x 156.75mm / 5BB
Cell Encapsulant	Ultra-Clear PID free EVA (Ethylene - Vinyl- Acetate)
Dimension	(L) 1650mm x (W) 990mm x (H) 35mm
Weight	17.5 Kg
Junction Box	IP68 / IP67 Certified, 4-rail, 3 Bypass diodes
Cable	1000 mm length / 4mm <sup>2</sup>
Plug Connector	MC4 Compatible / MC4 Connectors
Front Cover	3.2mm, High Transmission, AR Coated Tempered Glass
Backsheet	UV Protected Reflective Backsheet
Frame	Silver Anodized Aluminum Alloy (screwless)
Application Class	Class A
Electrical Safety	Class II
Fire Safety	Class C (Type 1)
Surface Load	Snow Load (5400 Pascal) & Wind Load (2400 Pascal)
Max. Series Fuse Rating	15 Amp

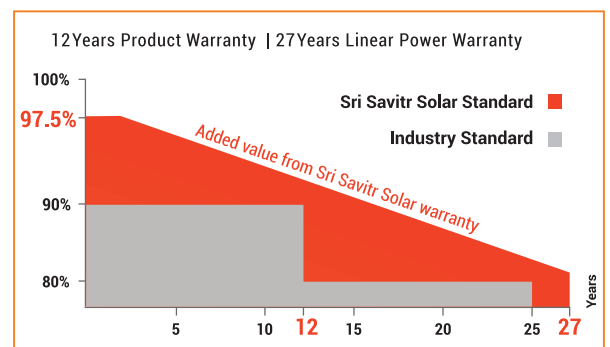
## DIMENSIONS in mm



## I-V CURVES



## LINEAR PERFORMANCE WARRANTY



## PACKAGING INFORMATION

Container	20' GP	40' HC
Pallets / Container	14	28
Modules /Container	400	840

**CAUTION :** READ SAFETY AND INSTALLATION INSTRUCTIONS BEFORE USING THE PRODUCT

Due to constant product modifications, Sri Savitr Solar reserves the right to amend the above specifications without prior notice. Please confirm your exact requirement with the company representative while placing your order.